



40GbE QSFP+ SR4-Lite Optical Transceiver



MC2210411-SR4L

Each of Mellanox's 40GbE modules contains four fiber optic transceivers, each of the transceivers operates at data rates of up to 10.3125Gb/s.

The Mellanox 40GbE SR4-Lite transceiver is optimized for low-power consumption at reduced reaches of up to 30m where longer reaches are not necessary. The SR4-Lite transceiver in low-power mode offers 0.8W power consumption versus standard SR4s.

These SFF-8685 compliant modules provide reliable transport for aggregate data rates up to 40GbE Virtual Port Interconnect (VPI) and can be used for Ethernet link protocol.

Rigorous production testing ensures the best out-of-the-box installation experience, performance and durability.

Table 1 - Absolute Maximum Ratings

Parameter	Minimum	Maximum	Units
Supply voltage	-0.5	3.6	V
Data input voltage	-0.3	Vcc + 0.3	V
Control input voltage	-0.3	Vcc + 0.3	V
Damage threshold, per Lane	3.4	---	dBm
Operating case temperature	0	70	°C
Operating relative humidity	0	85	%
Storage temperature	-40	85	°C

Table 2 - Operational Information

Parameter	Minimum	Typical	Maximum	Units
Supply voltage (Vcc)	3.15	3.3	3.45	V
Power consumption at default Rx settings	---	1.0	1.2	W
Power consumption at low Rx settings	---	0.8	1.0	W
Supply noise rejection	---	---	50	mVpp

HIGHLIGHTS

- Up to 40GbE data rate
- Programmable Rx Output Amplitude
- 0.8W power consumption at low Rx output amplitude
- SFF-8685 compliant
- Operating case temperature of 0-70°C
- 3.3V power supply
- BER better than 1E-15
- Hot pluggable
- Class 1 Laser Safety
- Maximum link length of 30m on OM3 multimode fiber
- Single 1x12 MPO receptacle
- RoHS compliant

Mechanical Schematics

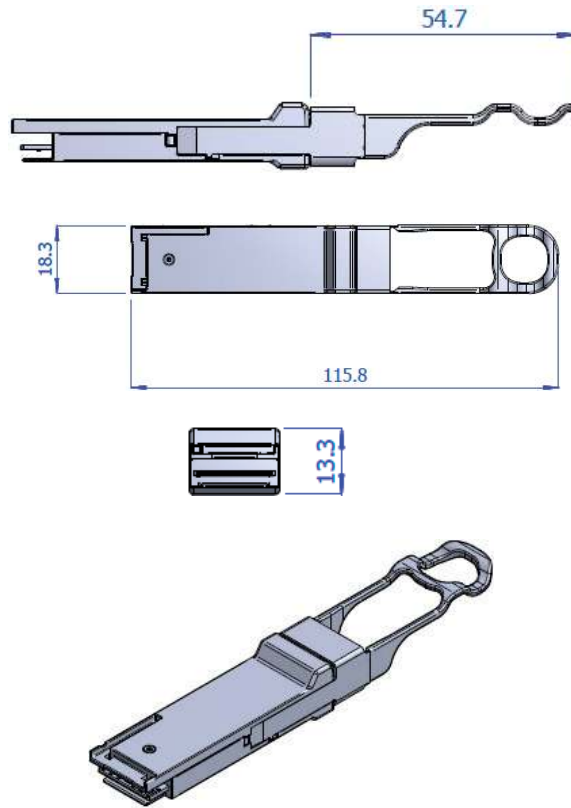


Table 3 - Part Number and Description

OPN	Description
MC2210411-SR4L	Mellanox® optical module, 40Gb/s, QSFP, MPO, 850nm, up to 30m

Warranty Information

The Mellanox LinkX optical transceivers include a 1 year limited hardware warranty, which covers parts repair or replacement.